

EH-R Hinge

In-line

Features

- Robust design withstands severe applications
- Concealed mounting hardware for added security
- Simple 3 hole installation

Product Performance

- Maximum radial working load: 5,000 N
- Maximum axial working load: 5,000 N

Material

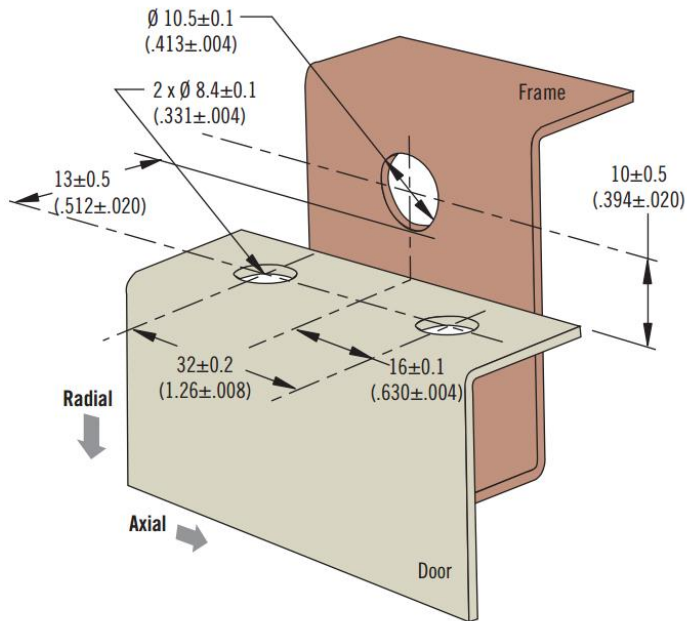
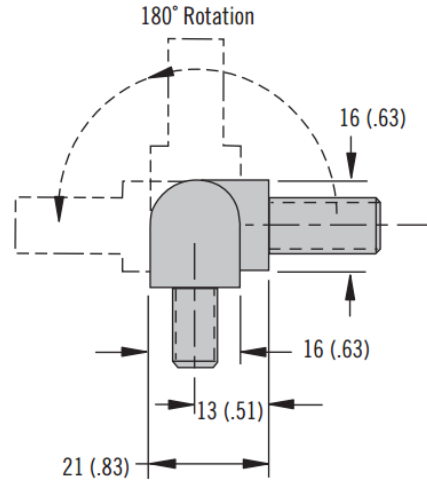
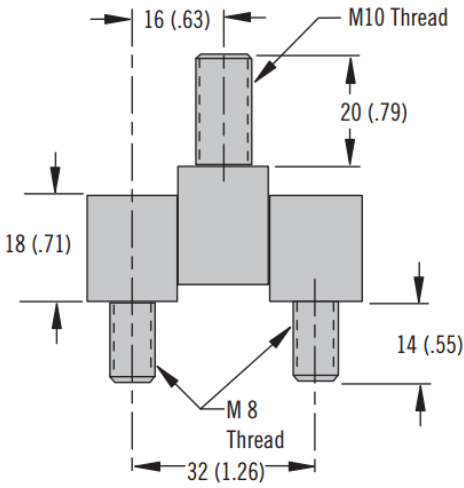
- Brass and steel, chrome plated

Notes

- Screws not supplied.
- Attach with M10 and M8 mounting nuts
- M10 stud max. frame thickness: 10
- M8 stud max. door thickness: 7



FREE SWINGING HINGES



Part Number

EH-8R-5G-38

southco®

We are proud to be Southco's authorized distributor of over 20 years